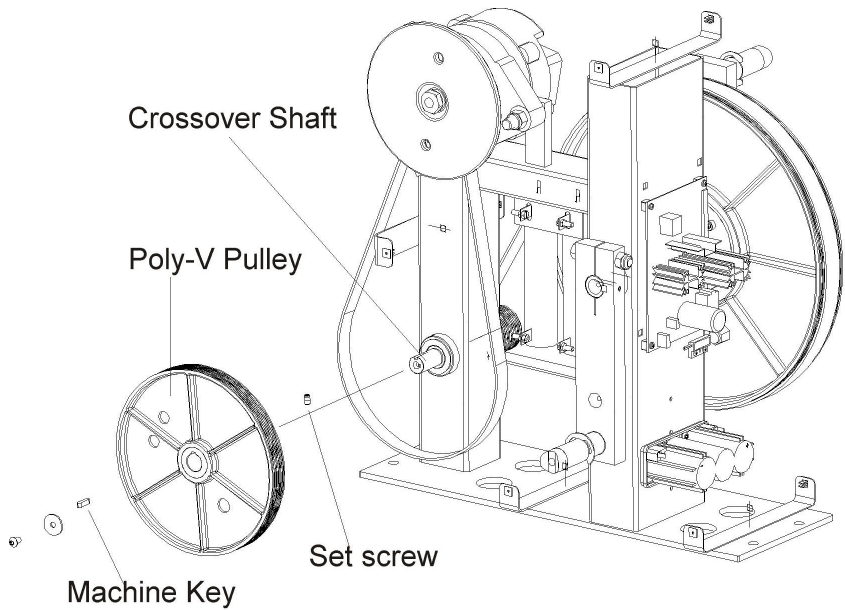


Life Fitness Cross-Trainers 90X, 93X, 95Xe, and 95Xi How To... Replace the Poly-V Pulley

Special Service Tools Required: NONE

1. Remove the Main Shrouds. See "How To..." in this section.
2. Remove the Right Lower Panel Shroud. See "How To..." in this section.
3. Walk the Alternator Belt off the Poly-V Pulley and remove the belt.
4. Remove the Allen screw and washer securing the Poly-V Pulley to the Crossover Shaft.
5. Remove the Set Screws securing the Poly-V Pulley to the Machine Key.
6. Slide the Poly-V Pulley off the Crossover Shaft.
7. Install the new Poly-V Pulley in reverse order ensuring that the machine key is in place when tightening set screws.



Note: Apply Loctite 242 to all screws securing the Poly-V Pulley to the Crossover Shaft.